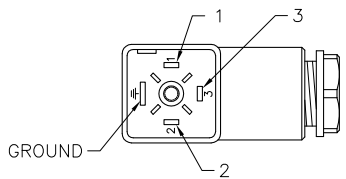
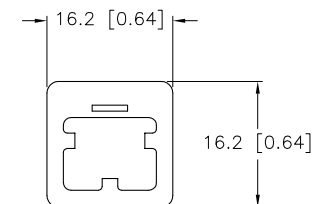
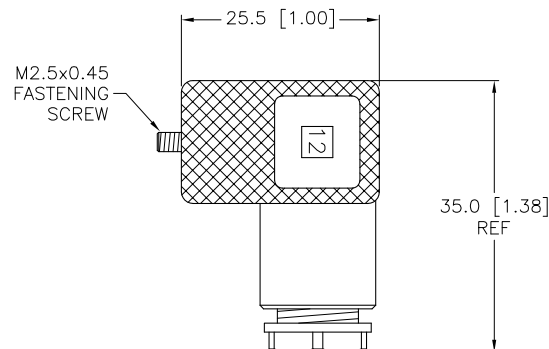
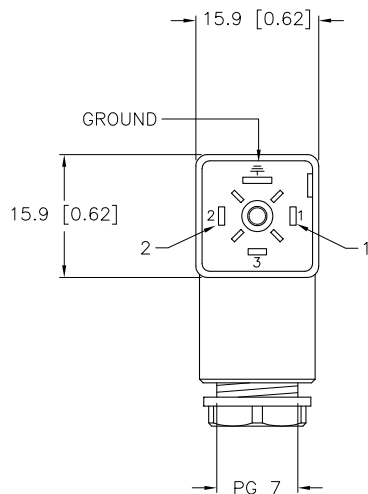


DIN 43650 (FEMALE)



SPECIFICATIONS

HOUSING/COLOR	NYLON/BLACK
HOUSING/COLOR	NYLON/BLACK
RATED CURRENT	10 A
RATED VOLTAGE	250 V
GASKET	NITRILE
CONTACT MATERIAL/PLATING	BRASS/NICKEL
TERMINAL	SCREW TERMINALS, CONDUCTORS TO 20 AWG
CABLE GLAND	PG 7, ACCEPTS CABLE Ø3.8 mm to Ø5.8 mm (Ø.150 inch to Ø.230 inch).
TEMPERATURE	-25°C TO +90°C (-13°F TO +194°F)
PROTECTION CLASS	MEETS NEMA 4,6P, AND IEC IP 65



GASKET

RELATED DOCUMENTS		3RD ANGLE PROJECTION		THIS DRAWING IS PROPERTY OF TURCK INC. USE OF THIS DOCUMENT WITHOUT WRITTEN PERMISSION IS PROHIBITED.		 3000 CAMPUS DRIVE MINNEAPOLIS, MN 55441 1-800-544-7769 (763) 553-7300 (763) 553-0708 fax turck.com				
1.	2.	3.	4.		DRFT	IK	DATE	12/22/98	DESCRIPTION	TC8S 2-AW
MATERIAL					DSGN	SCALE	1=1.0			
SEE SPECIFICATIONS				ALL DIMENSIONS DISPLAYED ON THIS DRAWING ARE FOR REFERENCE ONLY  CONTACT TURCK FOR MORE INFORMATION	UNIT OF MEASUREMENT			IDENTIFICATION NO.	REV	
FINISH					MILLIMETER [ INCH ]					U7163
D	UPDATE SPECIFICATIONS, SEE ECO	*CK	07/22/10	31906	DO NOT SCALE THIS DRAWING			FILE: U7163	SHEET 1 OF 1	
REV	DESCRIPTION	BY	DATE	ECO NO.						